



無錫光云通信科技有限公司

Opti Cloud Technologies, Inc

USB3.0 Active Optical Cable

1AUU14XXXX

Headquarter

C-55, HuiGu innovation Park , No.35 , XingZhi Rd
Huishan District, Wuxi City , JiangSu 214174 P.R. China.

TEL : +86-510-6661-8808 Fax : +86-510-6661-8758

Website : www.opti-cloud.com

Taiwan Branch

No.32, Jiafeng 3rd St
Zhubei City, Hsinchu County 30271, Taiwan,(R.O.C)

TEL : +886-3-668-2378 Fax : +886-3-668-2379



USB3.0 Active Optical Cable

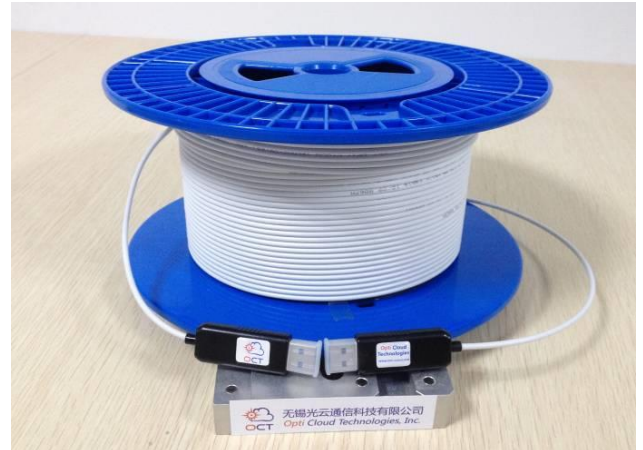
Revision History

Rev#	Date	Author	Reason of Change/Description
V0	2013/03/13	Faith Huang	New Issue
V1	2013/06/19	Faith Huang	Updated Drawing
2.0	2013/07/16	Faith Huang	Add Bending Radius
2.1	2014/8/29	Faith Huang	Add product information in the document
2.2	2014/12/08	Faith Huang	Updated some information.



USB3.0 Active Optical Cable

OCT USB 3.0 AOC is designed to be totally support with Super Speed USB electrical specifications, offering same interface and compatibility between existing USB 3.0 hosts, hubs and devices with 5Gbps Super-speed transmission rate, Extend the distance from 3 meters up to 250 meters.



Features

- Extend USB3.0 cable up to 250m
- Support USB3.0@5Gbps
- Low power consumption.
- Longer, thinner cable without EMI/RFI emissions.

Application

- Digital Home Theater
- Supervisory camera.
- Digital signage and TV Wall
- Zero Client Connectivity

Specification

Parameter	Specification	Unit	Note
Operating Voltage	4.75-5.25	V	
Power Consumption	275	mW	Optimized setting
Supply Current @5V	55	mA	Optimized setting
Operating Temperature	0-45	°C	

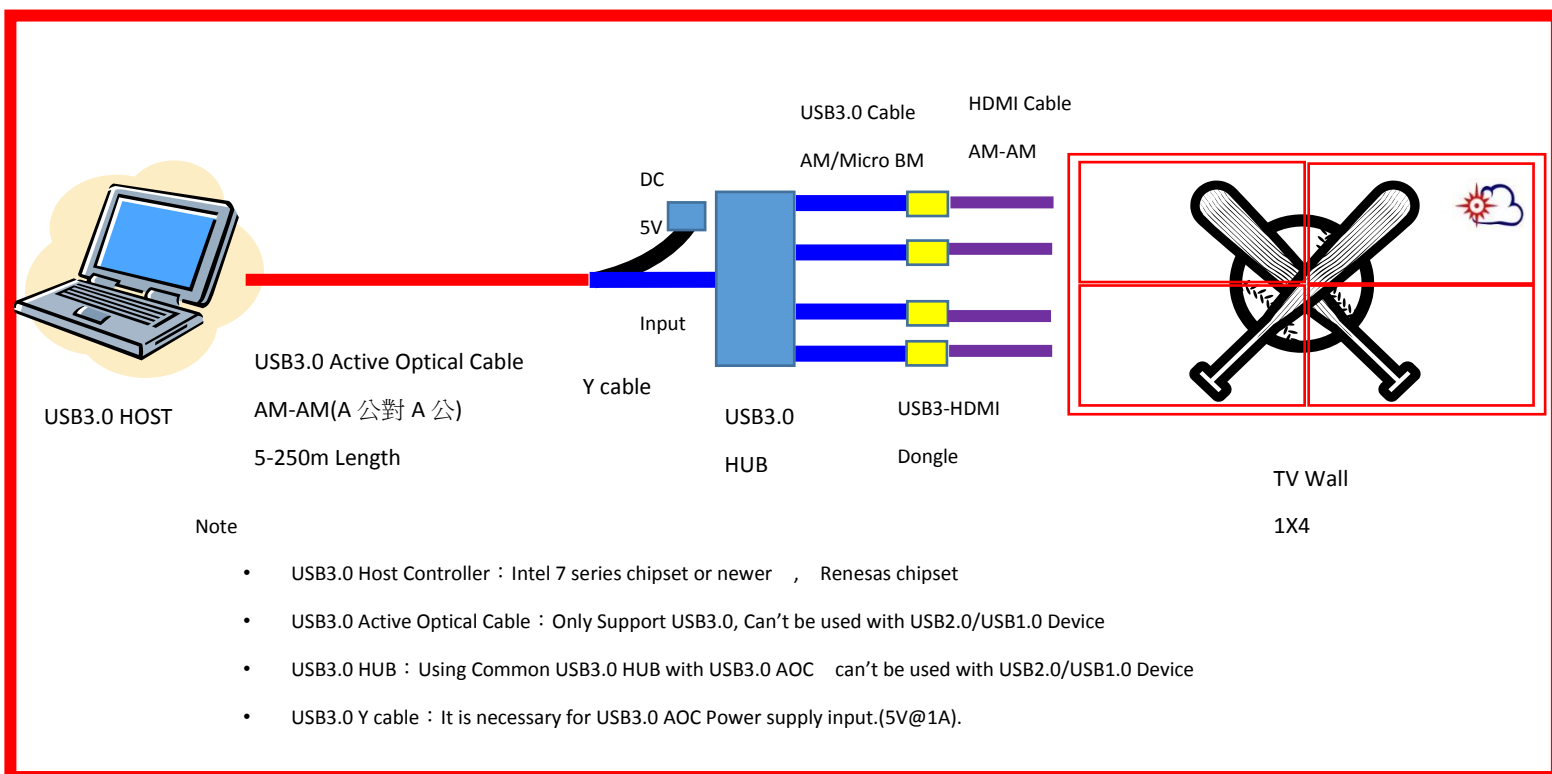


USB3.0 Active Optical Cable

Storage Temperature	-20-80	°C
Minimum Bending Radius△	10	mm

Application Diagram

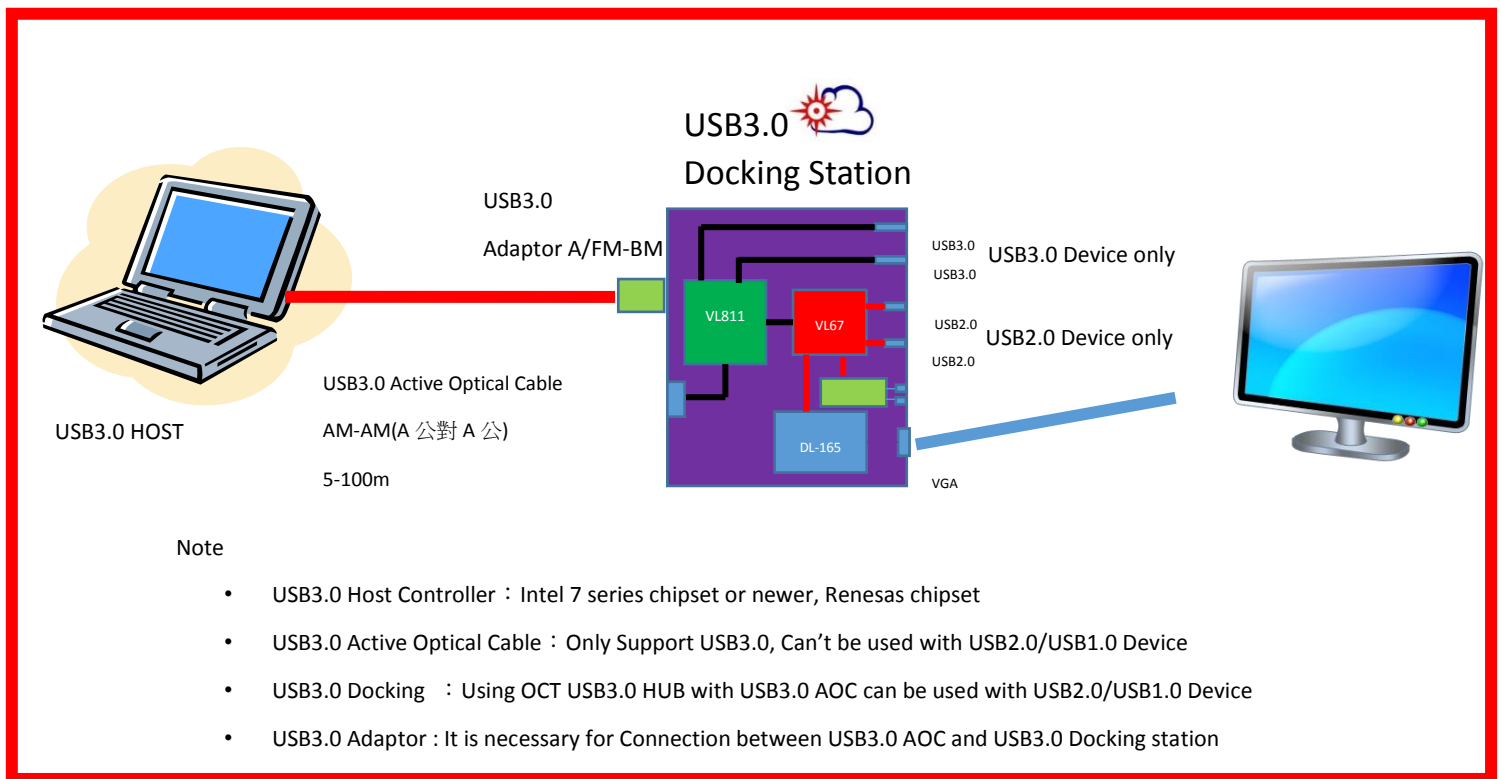
● TV Wall





USB3.0 Active Optical Cable

● With Docking Station





USB3.0 Active Optical Cable

Drawing

